

Jasper Electric Motors, Inc

175 Curry Hwy. Jasper, AL 35503

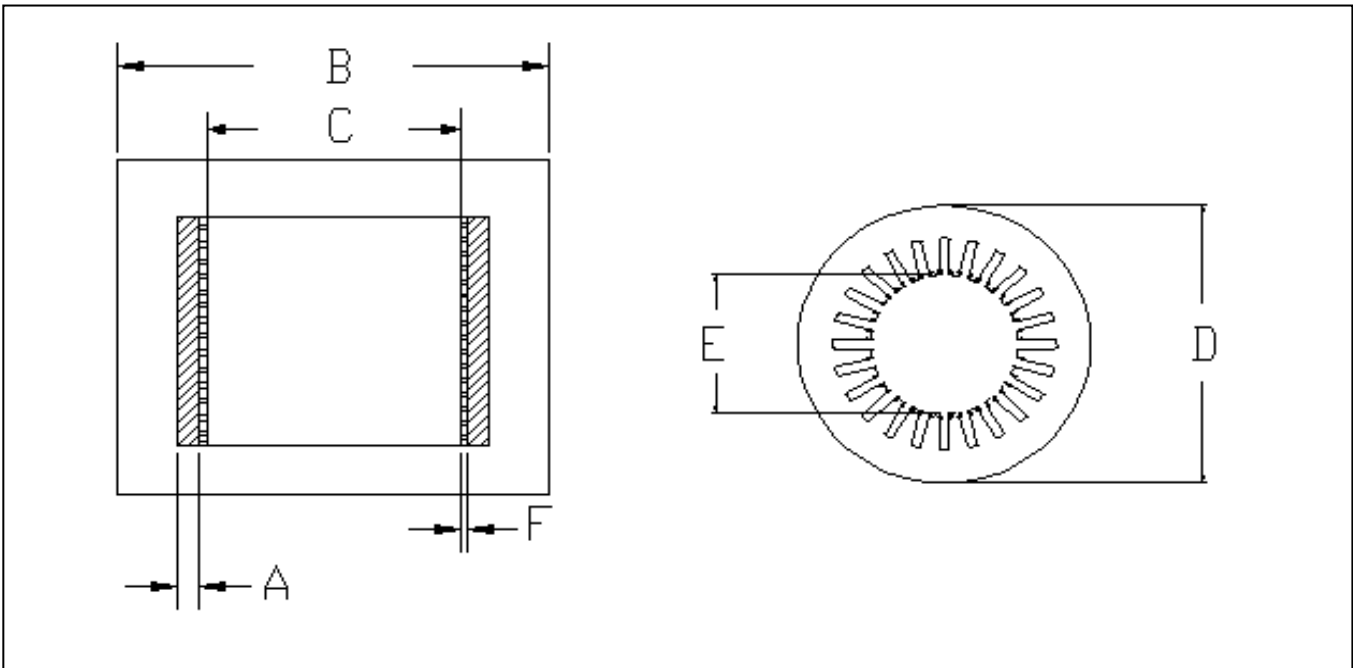
800-382-5643 Fax 205-384-6073

jemi@bellsouth.net

Customer: _____ Date _____
 Address: _____ P.O.#: _____
 City/State/Zip: _____ Tel.#: _____
 Contact Name: _____ Fax #: _____

Mfg: _____ Voltage: _____
 HP: _____ Enclosure: _____
 R.P.M. _____ Design: _____
 Frame: _____ Application: _____
 No of Slots: _____ Lamination Thickness _____

Slots are skewed Yes No Segmented Yes No



Dimensions (inches)		Circle Slot Type		
A				
B				
C				
D				
E				
F				
Notes:		Vent Location Detail		
			Vent Width:	