

# Jasper Electric Motors, Inc.

175 Curry Hwy. Jasper, Al. 35502  
800-382-5643 Fax 205-384-6073

Customer: \_\_\_\_\_  
Address: \_\_\_\_\_  
City/State/Zip: \_\_\_\_\_  
Contact Name: \_\_\_\_\_

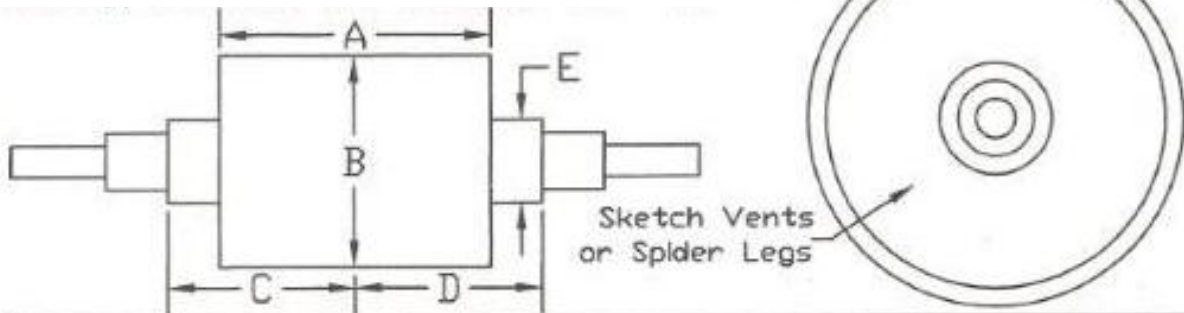
Date: \_\_\_\_\_  
P.O.#: \_\_\_\_\_  
Tel. #: \_\_\_\_\_  
Fax #: \_\_\_\_\_

## Armature Data Sheet

Mfg.: \_\_\_\_\_  
HP: \_\_\_\_\_  
RPM: \_\_\_\_\_  
Frame: \_\_\_\_\_  
No. of Slots: \_\_\_\_\_

Voltage: \_\_\_\_\_  
Enclosure: \_\_\_\_\_  
Design: \_\_\_\_\_  
Motor Application: \_\_\_\_\_

Shaft has Fabricated Spider.: Yes / No  
Slots are Skewed: Yes / No  
Runout on all Finished Surfaces: Yes / Excessive  
Coil Supports sent with Armature Yes / No



Dimensions (inches)		Vent or Banding Groove Detail
A		<div style="text-align: center;"> </div>
B		
C		<div style="text-align: center;"> </div>
D		
E		<div style="text-align: center;"> <p>If Not Shown Please Sketch</p> </div>
Notes:		